



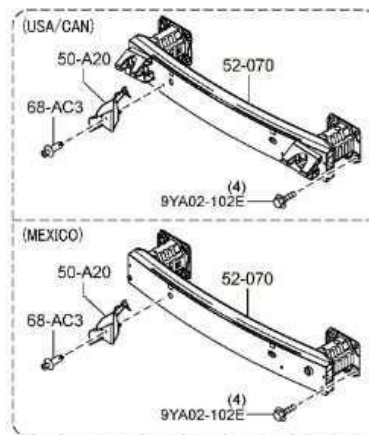
## Mazda MX-5 Cup Car Technical Service Bulletin #2021-01-11 #1

### Optional: Mazda MX-5 Cup Front Bumper Support – REVISED from ND1-TSB-2017-08-15 & ND1-TSB-2018-03-01-Front Bumper Beam

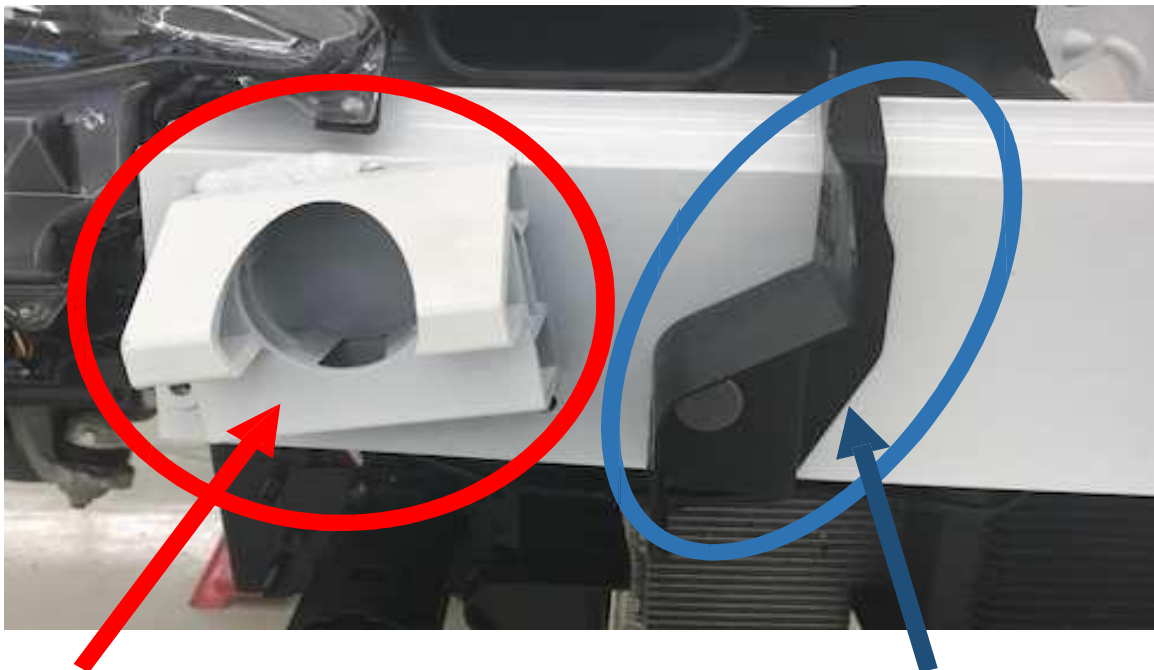
**This TSB describes:** The front bumper beam (USA/CAN P/N NA1J-50-070D) may be substituted with MEXICO P/N N243-50-070D –OR- modified by removing both large protrusions (see pictures below). Also, you may add a foam insert to the front of the bumper beam to help make up the gap between the front fascia and the bumper beam.

#### Installation:

1. Follow all Mazda service manual instructions for safety.
2. BUMPER BEAM
  - a. Remove the front fascia per the service manual instructions
    - i. Option A – Remove the US/CAN spec bumper beam and install the Mexico spec beam and ensure that the black plastic air guide (50-A20) be used on the new bumper beam. The air guide is a required part and **MUST** be in place.



- ii. Option B – Cut off the two protrusions that are ‘proud’ of the bumper beam so that the USA/CAN bumper beam resembles the Mexico bumper beam (see the diagram above). Ensure that the black plastic air guide (50-A20) be used on the modified bumper beam. The air guide is a required part and **MUST** be in place. (See below)



**Right & Left protrusions** that may be removed

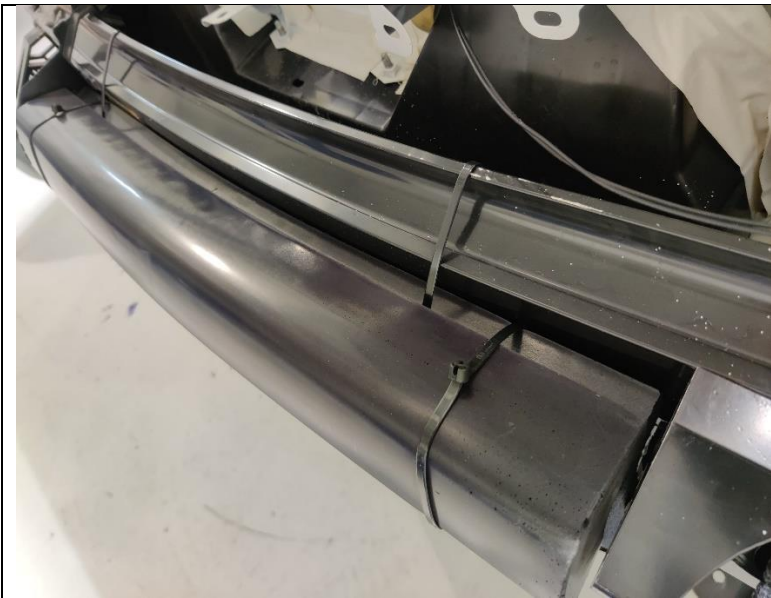
**Air Guide** that **MUST** be in place

### 3. FOAM INSERT

- a. You may install a single piece of FIA Type A roll bar padding, 30mm thick to fit 1 3/4" - 2" bar diameter (with trapezoidal profile) between the air guide and the tow hook. Use wire ties around the bumper beam and only cut the minimum size slit to pass the wire tie past the tape which is under the bumper beam. Please note that the picture below still has the protrusion around the tow hook, and once removed the foam may be installed up to the tow hook mounting hole.



- b. You may install a maximum of **two pieces only** of FIA Type A roll bar padding, 30mm thick to fit 1 3/4" - 2" bar diameter each (with trapezoidal profile) between the air guide and the tow hook. Use wire ties around the bumper beam and only cut the minimum size slit to pass the wire tie past the tape which is under the bumper beam. Please note that the picture below still has the protrusion around the tow hook, and once removed the foam may be installed up to the tow hook mounting hole.



If you have any questions about this Technical Bulletin, please contact Flis Performance at: [Ashli@FlisPerformance.com](mailto:Ashli@FlisPerformance.com) or 386-256-7021